

# ROMBO®



RELIABILITY

*Aiding motion in every industry*



## CHAINS FOR SPECIAL APPLICATIONS



**ENGINEERING  
CLASS CHAINS**

**TIDC INDIA**

**THE COMPLETE  
CHAIN COMPANY**





TIDC engineers use Auto CAD, Solid works and Finite Element Analysis for cutting edge solution in the design of the chains, and the manufacturing technology process is plotted out with equal care. The resulting products are comprehensively tested at our labs, before they eventually find their way to a Rombo Customer.

### **A Trusted Brand in Conveyor Chains**

The company has enormous strengths in conveyor chains, making chains for various applications in different Industries.

### **TIDC Means chains with more strength**

Strict and complete adherence to consistent quality and regular technology up gradation have ensured Rombo chains exceed all laid down parameters

- High strength – higher breaking load. Rombo chains are tested for higher breaking load values than the international standard, endowing them with extra strength you can count on.
- Tough construction – to withstand shock load conditions common in rugged applications. TIDC has the edge in raw materials, design as well as manufacturing processes that enables us to build chains that are more rugged.
- High tensile strength – certain applications call for chains with better tensile strength, and TIDC works this feature into their products at every stage of production.
- Attachment – regular and made to order attachments are offered based on client needs.

### **Quality, the TIES THAT Bind Everything**

Total Quality Management is a governing principle at TIDC India and we have our own quality system in place called 'TIES' (T.I. Excellence System)

### **TIDC India – The complete chain Company**

Rombo chains are designed and manufactured by TIDC India, a part of the prestigious Murugappa Group, one of the most trusted and respected business groups in India. A Group that is renowned for its belief in ethical business practices, innovative processes and people development.

Over six decades, TIDC has built chains for virtually every sector of industry. From tiller chains, agricultural chains, leaf chains and conveyor chains to industrial power drive chains, motorcycle drive chains and engine mechanism chains, our expertise is moving men and material across every sphere of life. And today, we possess the capability to meet any requirements in chains, anywhere in the world.

### **Our Strength : R & D**

At TIDC, we owe our success to continuous improvement. Innovating products that suit customer needs better, makes us to constantly improve. Every choice with regards to size, material or method is in direct response to the needs of application engineers in the industries we serve.



encompassing all aspects of functioning. Beginning with the design phase, purchase and inspection of raw materials, vendor management, work instructions and going on to cover all processes in manufacturing, packing and inspections before delivery.

TIES also provides for stringent procedures when it comes to traceability of products and reviews of customer feedback.

The TIES system functions by nurturing quality as an integral part in the entire value chain, and is now completely internalized by the company.

### **The Best Certificates are Those that comes from our clients**

We are one of the world's few companies to be certified for API 7F specifications by the American petroleum Institute for oil field chains.

Our manufacturing processes right from product design to testing of finished chains conform to ISO 9000:2000 standards and are certified by RWTUV of Germany. Our Motorcycle Engine Mechanism Chain and Fine Blanking Divisions are certified to TS 16949 standards by underwriters Laboratories, USA.

But what gives us the most pride is, the approval and repeat orders that comes to us from our clients all over India & across the world.

### **Product Leadership**

Customers turn to TIDC for products that are designed for high performance, expanded equipment life and enhanced productivity. If you need chains that operate reliably in challenging environments, TIDC is the right source.

We apply our decades of research, engineering, manufacturing and service knowhow for every application. Because of our own performance

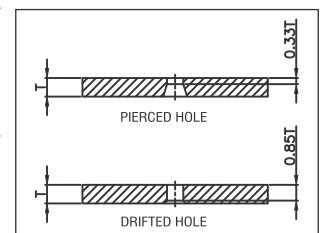
advantages, large OEMs turn to TIDC for products and support. This same OEM quality is offered to our after market products. That is why you will find our chains used in every tough applications.

TIDC engineers are committed to understanding your process and solve unique application problems. We work with you to optimize chain performance in the above stated products.

We use this spirit of collaboration to develop customized power transmission solutions.

### **Great Fatigue and Tensile Strength**

The plates in each and every TIDC chain undergo piercing operation to extremely accurate specifications. Followed by Shaving or Drifting to increase bearing area, guaranteeing greater dynamic strength and fatigue life.



### **Longer Wear Life**

Roundness of the bushes and heat treatment of pins and bushes impact wear life. At TIDC bushes and pins are produced using numerically controlled machines which produces them with greater accuracy.

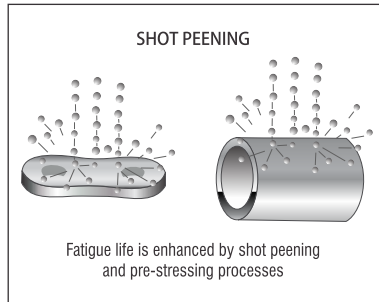
### **Heat Treatment**



Heat treatment is our core competency at TIDC. Our team has rich experience in heat treatment to maximize strength and life in every chain elements: pins, bushing, rollers and link plates. We deploy our specialist skills in continuous hardening operations for martensitic heat treatment. Under a completely automated atmosphere we work with high, medium and low carbon steels, alloy steels, austenitic and martensitic stainless steels etc. Other treatments we offer based on customer specifications are:

### Shot peening for Maximum Load Capability/Shot Peening

Critical applications call for chains with high working load capability, plates and rollers are shot peened after heat treatment thereby increasing fatigue life. It is done by constantly bombarding the component with hard metal pellets at high speeds.



### Corrosion Resistance

TIDC offers plating options, for corrosion resistance and enhanced product life – chromised pins have been proven to improve performance dramatically.

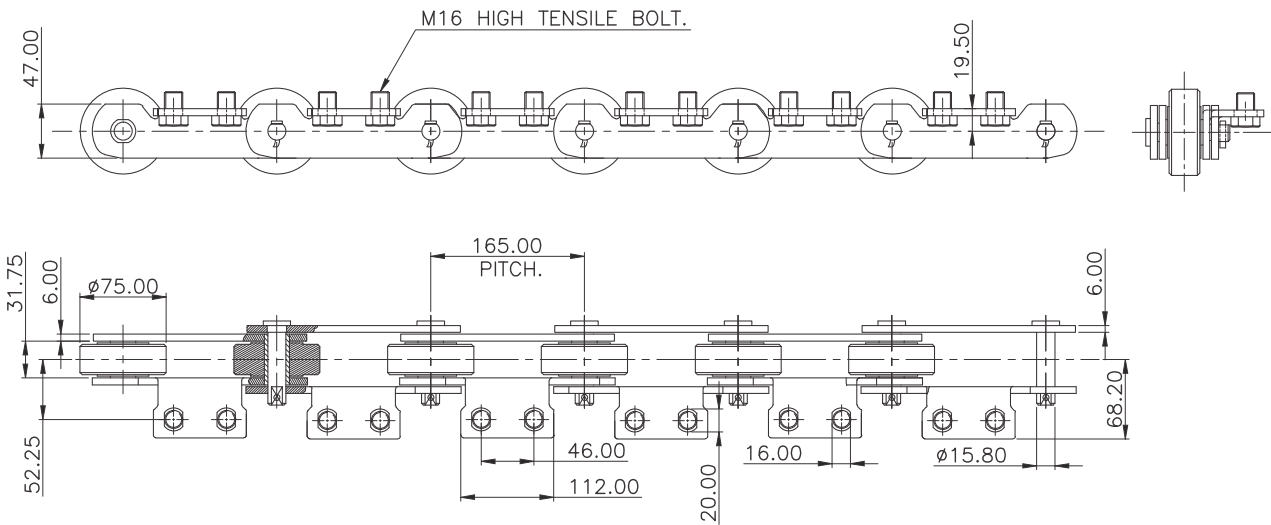


### Testing

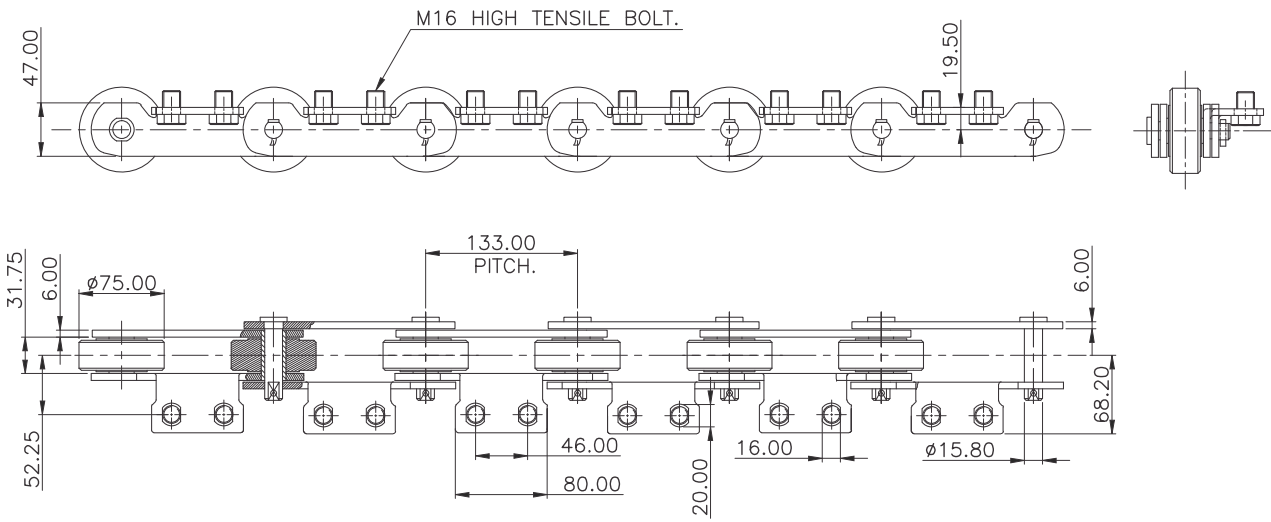
TIDC has immense capabilities for testing to validate the quality of their products. Every batch goes through stringent testing protocol, which covers fatigue tests, corrosion tests and much more. TIDC conveyor chains are built to exceed international standards, and this performance level is meticulously tested before the products reach you.



## CHAINS FOR BOTTLE WASHING MACHINES

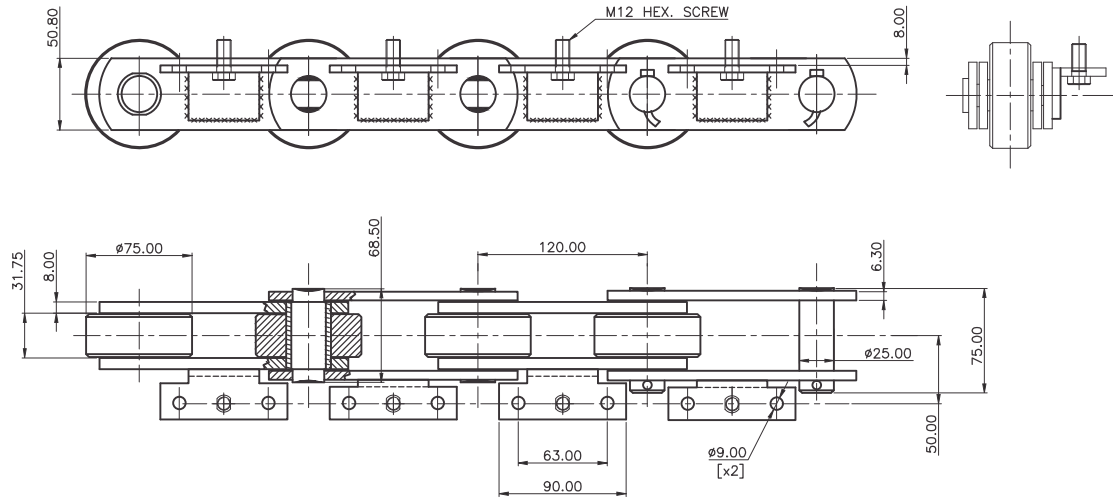


TIDC MODEL: SP 2105  
MINIMUM BREAKING LOAD: 20 TONS

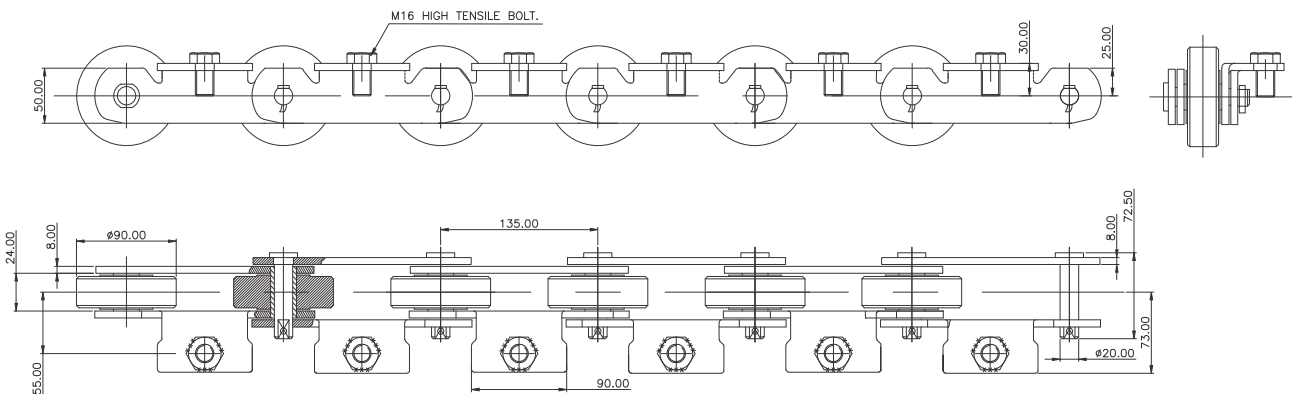


TIDC MODEL: SP 2167  
MINIMUM BREAKING LOAD: 20 TONS

## CHAINS FOR BOTTLE WASHING MACHINES

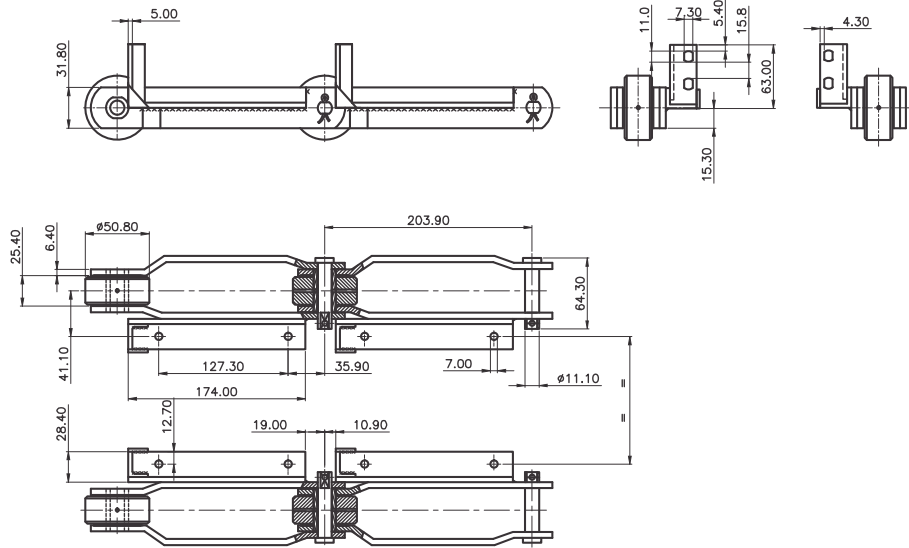


TIDC MODEL: SP 2335  
 MINIMUM BREAKING LOAD: 15 TONS

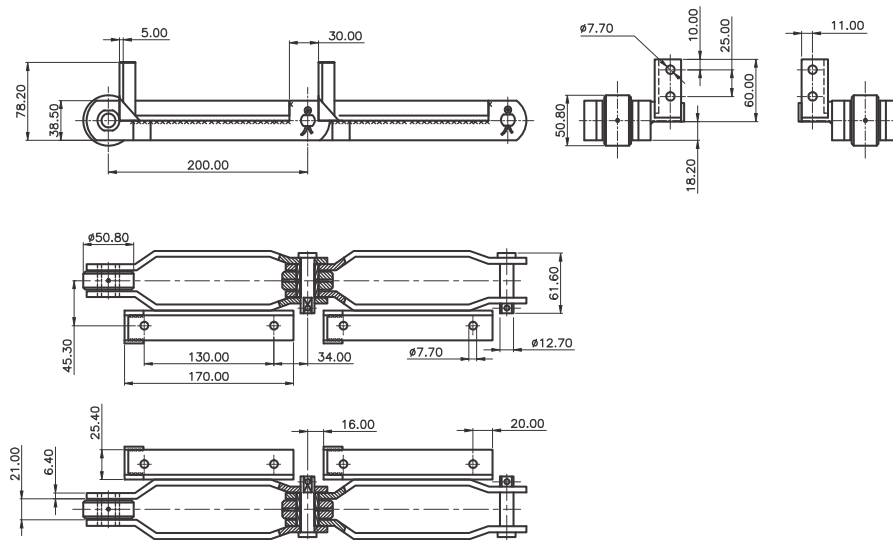


TIDC MODEL: S 13500 01 BW A1 1L  
 MINIMUM BREAKING LOAD: 17 TONS

## CHAINS FOR FOOD INDUSTRY - ONION & FRUIT DRYING



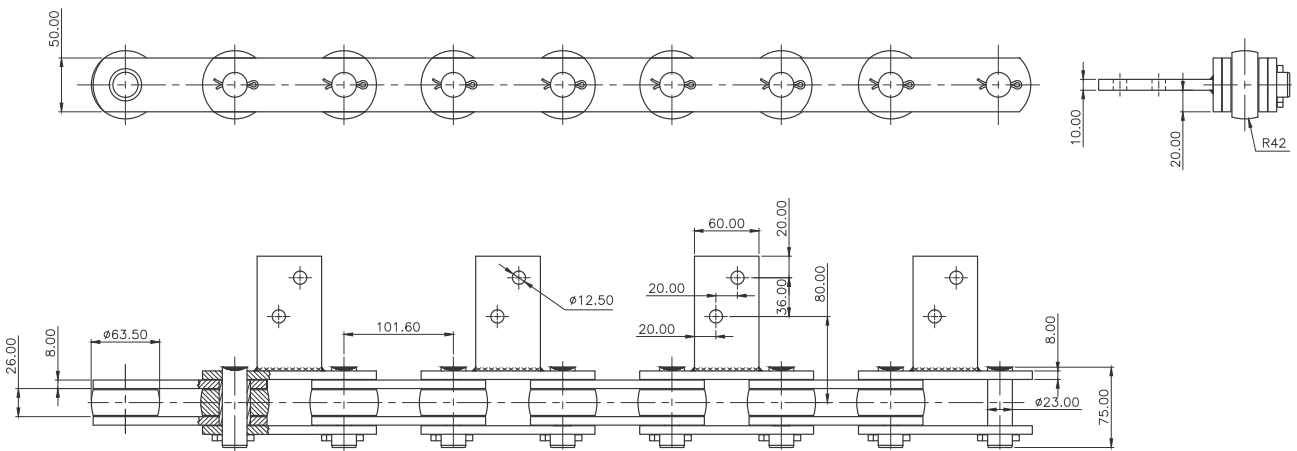
TIDC MODEL: S 20320 10 WA2 01  
MINIMUM TENSILE STRENGTH: 10,000 KGS.



TIDC MODEL: S 20000 50 WA2 1L  
MINIMUM TENSILE STRENGTH: 10,000 KGS.

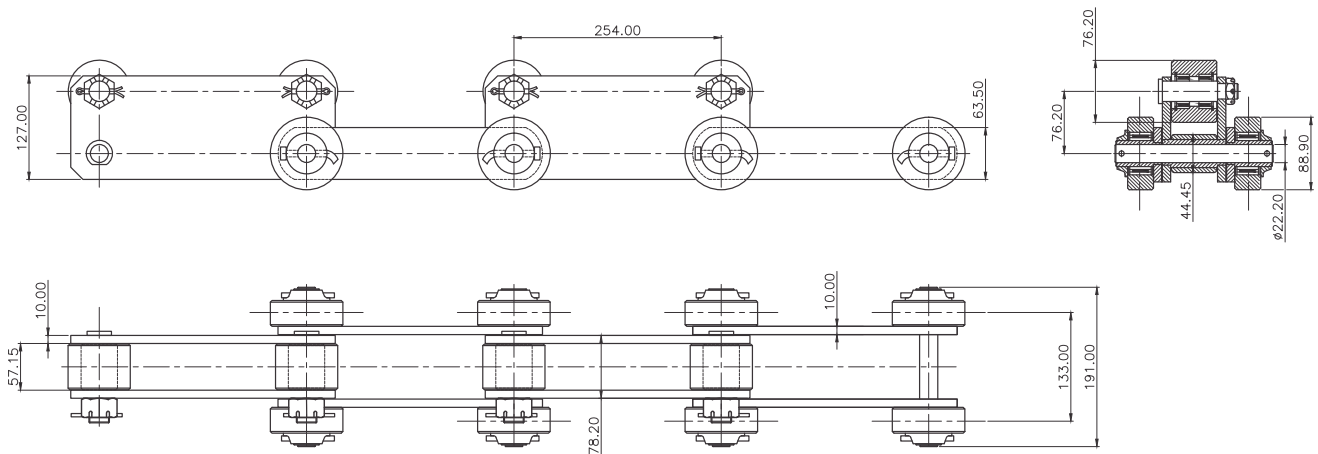


## SLAT CONVEYOR CHAIN FOR FOOD INDUSTRY



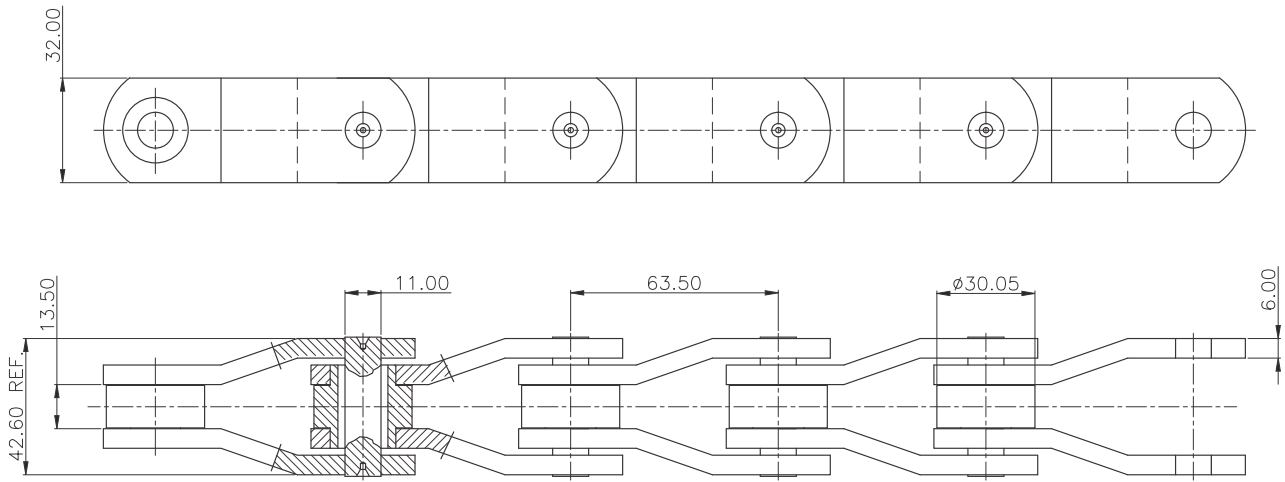
TIDC MODEL:S 10160 18 WA2 1A  
MINIMUM BREAKING LOAD = 13500 KGS (30000LBS)

## TOP ROLLER CHAIN - WAGON WHEEL CONVEYING



TIDC MODEL:S 25400 03 SC TR OBR  
MINIMUM BREAKING LOAD = 37.000 KGF.

## SIDE BOW CHIAN - LPG BOTTLING CONVEYOR

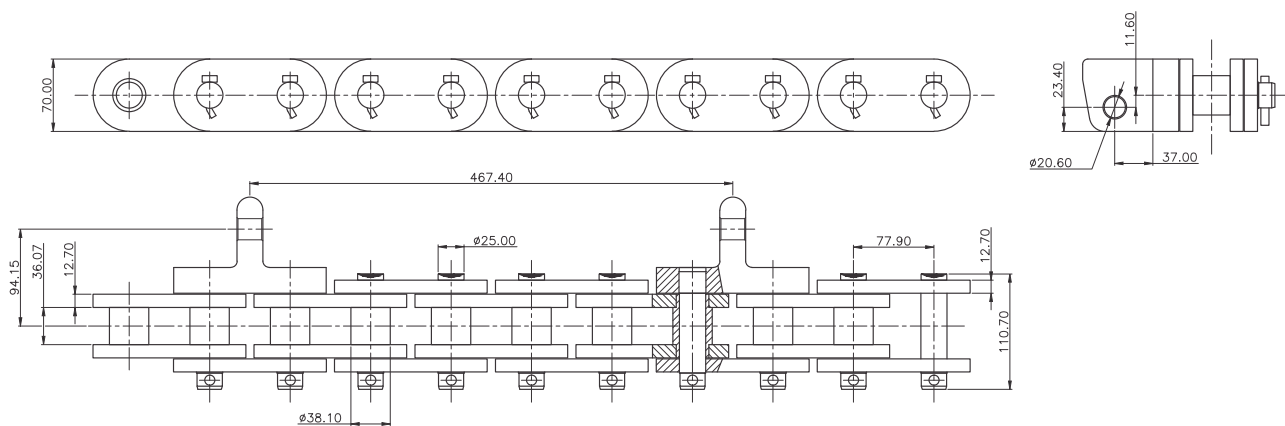


TIDC MODEL: SP 1706

MINIMUM BREAKING LOAD: 6500 KGF



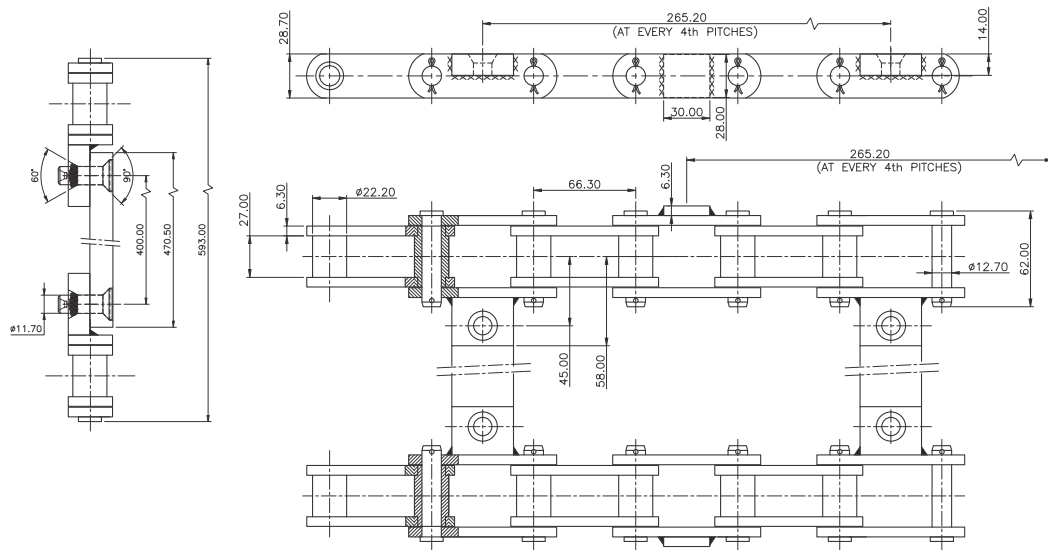
## FEEDER BREAKER CHAIN



TIDC MODEL: SP 1955

MINIMUM BREAKING LOAD: 82 TONS

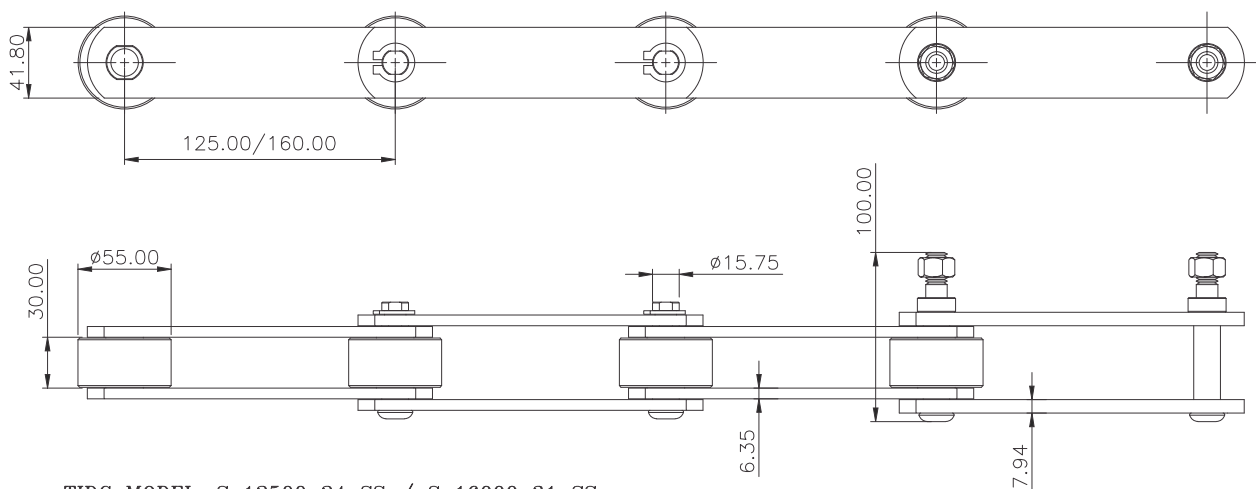
## ROAD PAVER CHAINS



TIDC MODEL: S 06627 06 PVC  
MINIMUM BREAKING LOAD = 8000 Kgf/Strand



## BAR SCREEN CHAIN - WASTE WATER TREATMENT

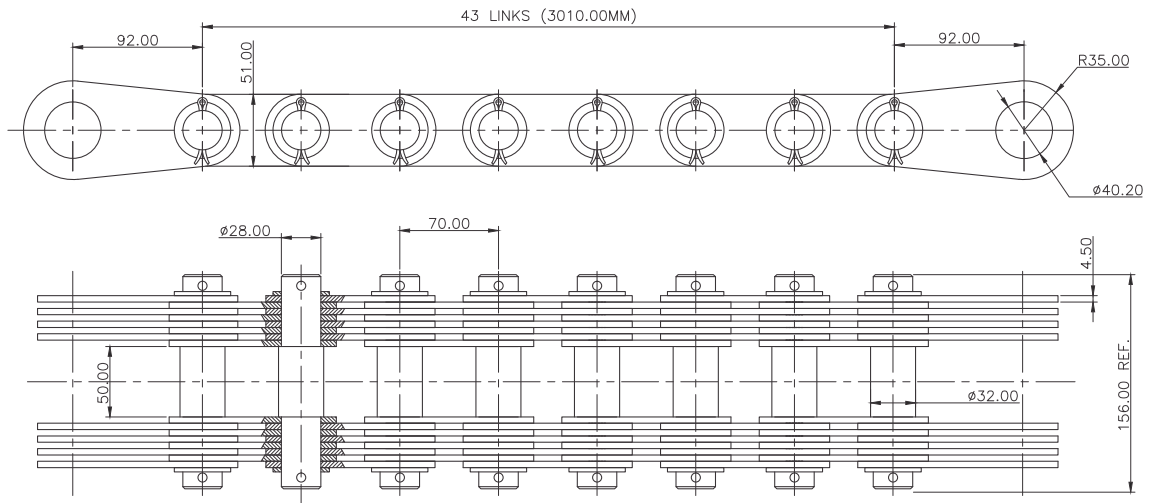


TIDC MODEL: S 12500 24 SS / S 16000 31 SS

MINIMUM BREAKING LOAD = 31000 LBS

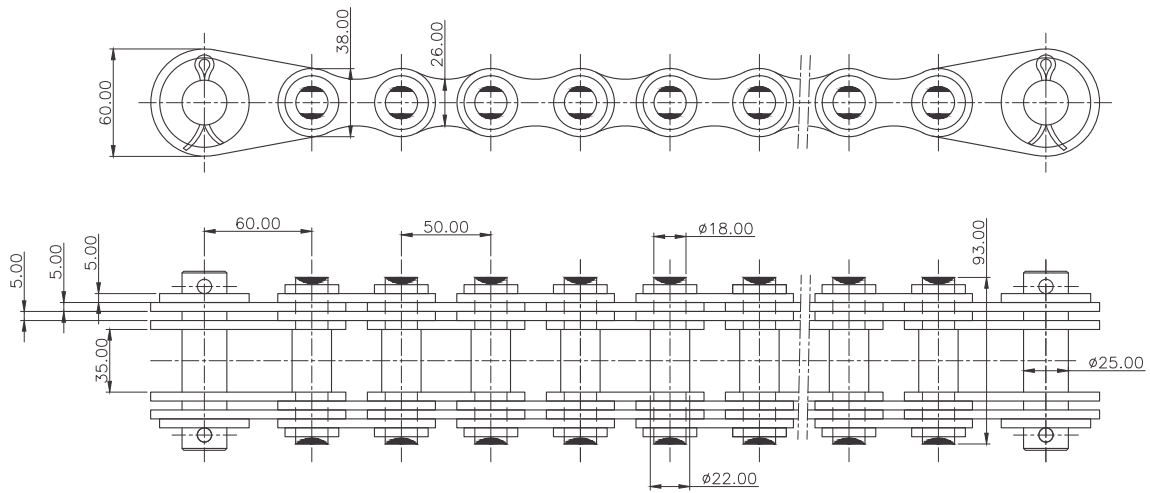
MOC: STAINLESS STEEL

## GALLE CHAINS



TIDC MODEL: S\_07000\_07\_LL

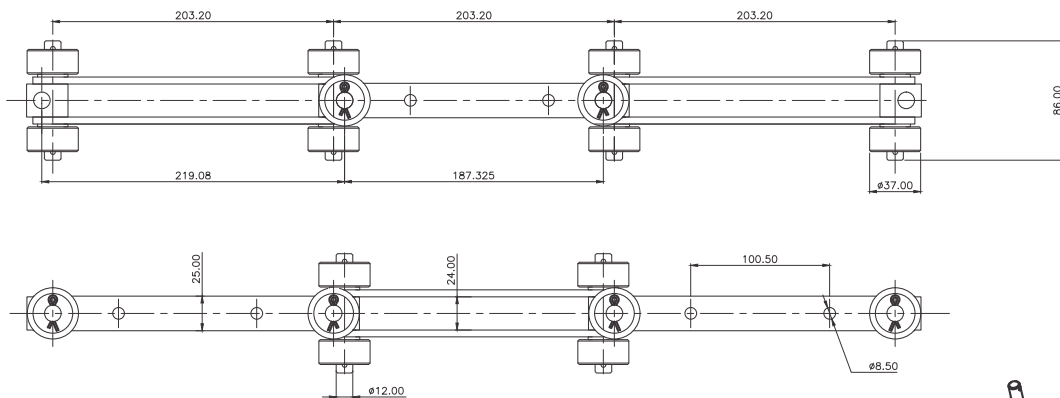
MINIMUM TENSILE STRENGTH = 40,000 KGF



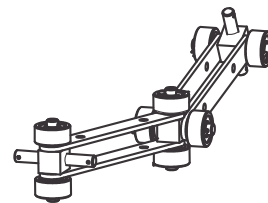
TIDC MODEL: S\_05000\_06\_GC

MINIMUM BREAKING LOAD = 20000 KGF

## AUTO TOGGLING CHAIN

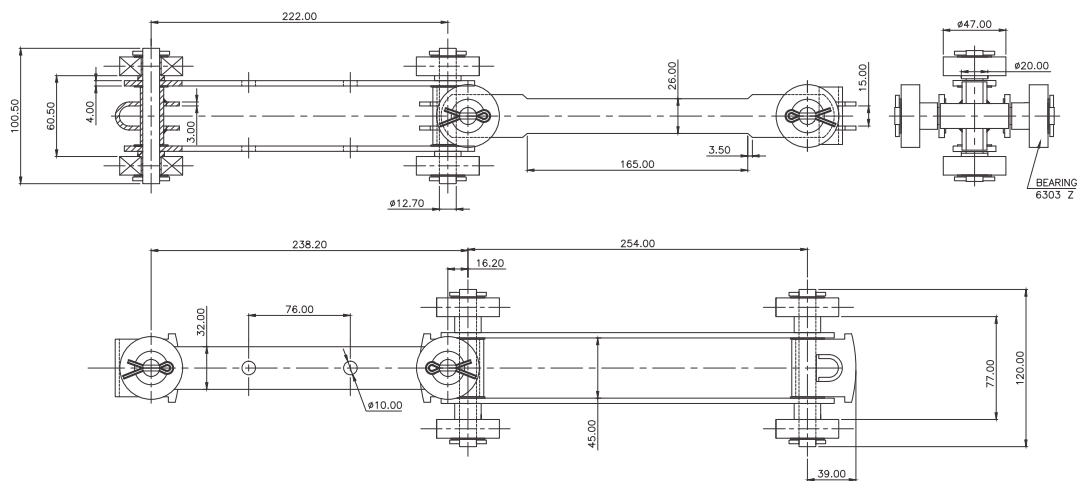


TIDC MODEL: S 20320 04 BPC OBR  
 MINIMUM BREAKING LOAD: 6000 KGF



## BI - PLANAR CHAIN

BI-PLANAR CHAIN



TIDC MODEL: S 25400 05 BPC OBR 1L

## NOTES

**CERTIFICATE TÜV NORD**

Management system as per  
**ISO 14001 : 2004**

In accordance with TÜV NORD CERT procedures, it is hereby certified that

**TIDC INDIA**  
(UNIT OF TUBE INVESTMENT OF INDIA LIMITED)  
Survey No. 264, 268/1, 268/2A, 268/2B, 269/1 & 2,  
CTH Road, Ambattur, Chennai- 600 053,  
Tamilnadu, India



applies a management system in line with the above standard for the following scope

**Manufacture of Automotive, Industrial, Agricultural & Cam Chains, Engineering Class Chain, Fine Blanking components & Accessories**

Certificate Registration No. 44 104 114274 -E3  
Audit Report No. 2.5-1490/1999

Valid until 17.07.2014

*[Signature]*  
Certification Body  
at TÜV NORD CERT GmbH

Mumbai, 18.07.2011

This certification was conducted in accordance with the TÜV NORD CERT auditing and certification procedures and is subject to regular surveillance audits.  
TÜV NORD CERT GmbH Langemarkstrasse 20 45141Essen [www.tuv-nord-cert.com](http://www.tuv-nord-cert.com)



**CERTIFICATE TÜV NORD**

Management system as per  
**BS OHSAS 18001 : 2007**

In accordance with TÜV NORD CERT procedures, it is hereby certified that

**TIDC INDIA**  
(UNIT OF TUBE INVESTMENT OF INDIA LIMITED)  
Survey No. 264, 268/1, 268/2A, 268/2B, 269/1 & 2,  
CTH Road, Ambattur, Chennai-600 053, Tamilnadu,  
India



with the location  
TIDC INDIA, Andhra Pradesh, India  
TIDC INDIA, Uttarakhand, India

applies a management system in line with the above standard for the following scope

**Manufacture of Automotive, Industrial, Agricultural & Cam Chains, Engineering Class Chain, Fine Blanking components & Accessories**

Certificate Registration No. 44 116 111314  
Audit Report No. 3508 2944

Valid until 2014.07.06

*[Signature]*  
Certification Body  
at TÜV NORD CERT GmbH

Essen, 2011.07.07

This certification was conducted in accordance with the TÜV NORD CERT auditing and certification procedures and is subject to regular surveillance audits.

TÜV NORD CERT GmbH Langemarkstrasse 20 45141Essen [www.tuv-nord-cert.com](http://www.tuv-nord-cert.com)



**CERTIFICATE TÜV NORD**

Management system as per  
**BS OHSAS 18001 : 2007**

In accordance with TÜV NORD CERT procedures, it is hereby certified that

**TIDC INDIA**  
(UNIT OF TUBE INVESTMENT OF INDIA LIMITED)  
Survey No. 264, 268/1, 268/2A, 268/2B, 269/1 & 2,  
CTH Road, Ambattur, Chennai- 600 053,  
Tamilnadu, India



with the location  
TIDC INDIA, Andhra Pradesh, India  
TIDC INDIA, Uttarakhand, India

applies a management system in line with the above standard for the following scope

**Manufacture of Automotive, Industrial, Agricultural & Cam Chains, Engineering Class Chain, Fine Blanking components & Accessories**

Certificate Registration No. 44 116 111314

Audit Report No. 3508 2944

Valid until 2014.07.06

Essen, 2011.07.07

This certification was conducted in accordance with the TÜV NORD CERT auditing and certification procedures and is subject to regular surveillance audits.

TÜV NORD CERT GmbH Langemarkstrasse 20 45141Essen [www.tuv-nord-cert.com](http://www.tuv-nord-cert.com)



- ♦ All dimensions indicated are in mm.
- ♦ All information contained in this catalogue is subject to change after publication.
- ♦ While all reasonable care has been taken in compiling the information contained in this catalogue, no responsibility is accepted for printing errors.



For enquiries please contact:

# **TIDC INDIA**

Unit of Tube Investments of India Ltd.,  
Post Bag No.11, Ambattur,  
Chennai - 600 053. India.

**Tel +91-44-4223 5521/4223 5504**

**Fax +91-44-4223 5556**

**E-mail: [exports@tii.murugappa.com](mailto:exports@tii.murugappa.com)**

**[www.rombochain.com](http://www.rombochain.com)**